



CASTER CITY

8635 Bright Angel Way
Las Vegas, NV 89149
800-501-3808

REVISIONS:

DATE	#	COMMENT	BY

PART NO: **Model 9 - 6" Swivel Caster**

DIMENSIONS AND TOLERANCE ARE IN INCHES UNLESS SPECIFIED:
.X ±0.1 .XX ±0.06 .XXX ±0.03 FRACTION ±1/16 ANGLES ±1°

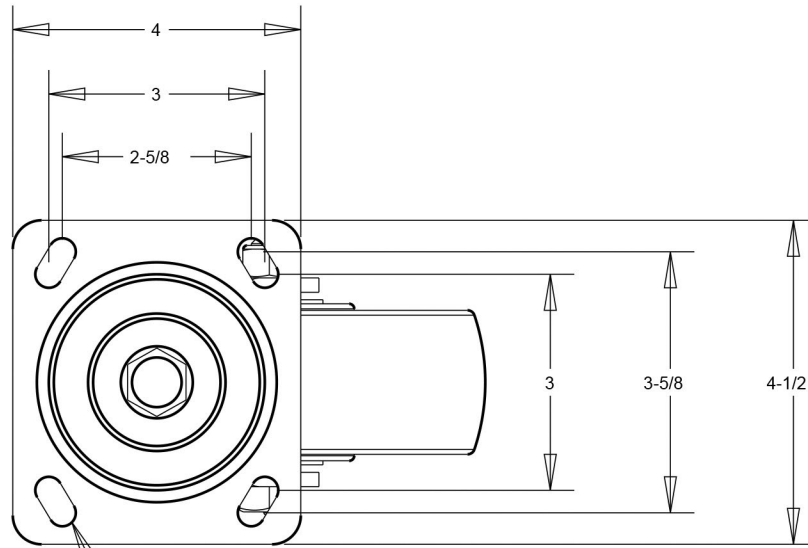
SPECIFICATIONS:

YOKE:

1. MATERIAL: ZINC PLATED STEEL
2. DOUBLE BALL BEARING RACEWAYS
3. 5/8" KINGPIN AND NUT
4. GREASE FITTING IN SWIVE RACEWAY
5. 1/2" ZERK AXLE AND NUT

DATE	02/27/2017
SCALE	
PAGE	1 OF 1
DRAWN BY	E.T.
APPROVED BY	S.C.

Capacity up to 1200lbs depeding on the wheel.



MOUNTING BOLT $\varnothing 3/8$

