



# CASTER CITY

8635 Bright Angel Way  
Las Vegas, NV 89149  
800-501-3808

PART NO:

### REVISIONS:

DATE	#	COMMENT	BY

## Caster Model 2-50 - 10" Swivel

DIMENSIONS AND TOLERANCE ARE IN INCHES UNLESS SPECIFIED:

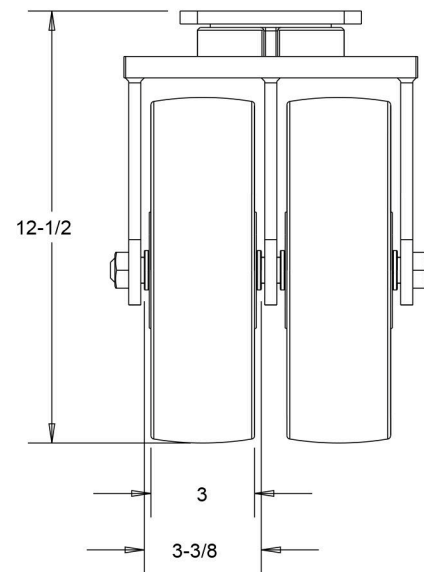
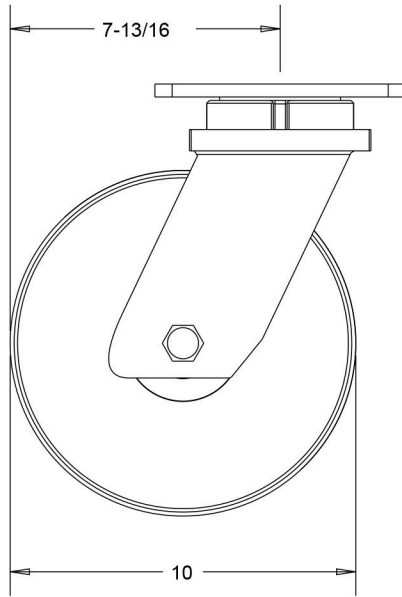
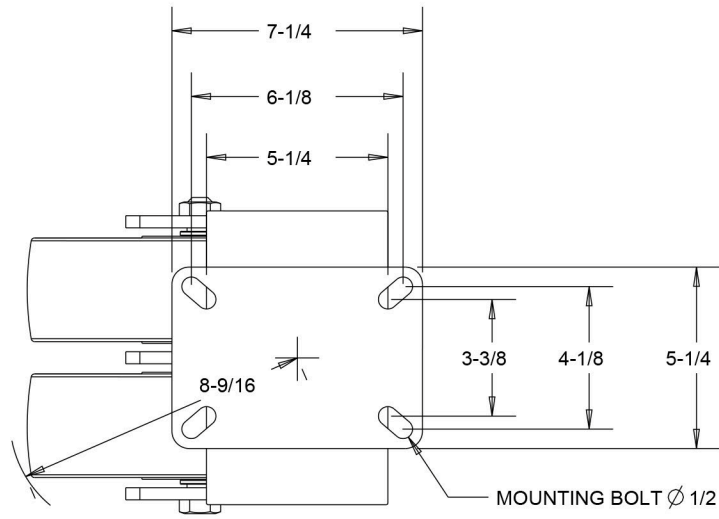
.X ±0.1 .XX ±0.06 .XXX ±0.03 FRACTION ±1/16 ANGLES ±1°

### SPECIFICATIONS:

#### YOKE:

1. MATERIAL: ZINC PLATED HOT FORGED ASTM 1045 STEEL
2. TOP PLATE AND INNER RACEWAY INTEGRATED KINGPINLESS
3. 1/2" DIAMETER HRC45 STEEL BALL BEARINGS
4. ZERK FITTING ON SWIVEL RACEWAY
5. 3/4" GRADE 8 AXLE WITH LOCK NUT

DATE	09/01/2022
SCALE	
PAGE	1 OF 1
DRAWN BY	D.X.
APPROVED BY	S.C.



**Capacity up to 7,000lbs depending on the wheel**